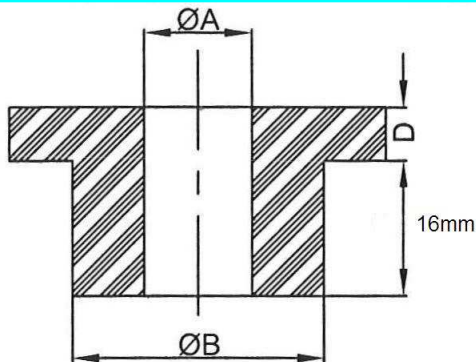


rubber spring mounts navy shock line "Q"

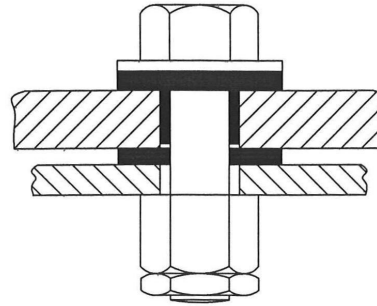
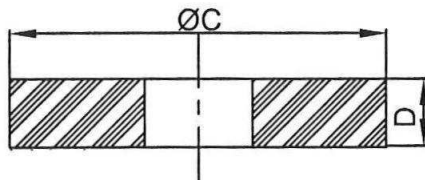
series RSQ

definition

Bush B



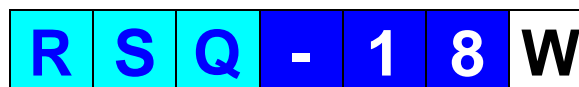
Washer W



- Protection against high frequency vibration/shock.
- 5 to 45kg load range.
- Natural rubber material.
- Instrument panels protection.
- Self-contained mounting.
- Temperature range : -30°C +70°C.
- Method of Design :
The size of mounting is chosen by dividing the weight of the equipment by the number of attachment points. Each size may bear a load of between its maximum rated load and 1/5th of that mount.

| | | | | | | |
|----------------------------------|-------------|-------------|-------------|-------------|-------------|-------------|
| Max Supported mass (Kg) | 5 | 10 | 18 | 27 | 36 | 45 |
| Static deflection (mm) | 0.5 | 0.6 | 0.8 | 1.0 | 1.3 | 1.3 |
| Natural frequency (Hz) | 23 | 20 | 18 | 16 | 14 | 14 |
| Shock deflection (mm) | 2.0 | 2.5 | 3.0 | 4.1 | 5.1 | 5.1 |
| Shock Natural frequency (Hz) | 40 | 40 | 35 | 32 | 30 | 30 |
| D (mm) | 3 | 5 | 5 | 6 | 8 | 8 |
| | | | | | | |
| Bush | -05B | -10B | -18B | -27B | -36B | -45B |
| A (mm) | 6 | 8 | 10 | 12 | 16 | 20 |
| B (mm) | 14 | 18 | 19 | 25 | 32 | 35 |
| NATO stock number : 5340-99-923- | 9374 | 9373 | 9372 | 9371 | 9370 | |
| | | | | | | |
| Washer | -05W | -10W | -18W | -27W | -36W | -45W |
| C (mm) | 21 | 27 | 30 | 38 | 44 | 48 |
| NATO stock number : 5340-99-923- | 7036 | 7035 | 7034 | 7033 | 7030 | |

Example :
RSQ-018W



Prefix :
"Rubber Spring" mount
from the series **RSQ**

Model : -18W
Washer for 18Kg load
Diameter : 30mm
Thickness : 5mm

01/03/2014

Socitec
BP 33, 78501 Sartrouville cedex - France
Telephone : +33 (0)1 61 04 60 00
Fax : +33 (0)1 39 14 03 27
<http://www.socitec.com>
e-mail : shock-intl@socitec.com

Document subject to modification without prior notice

