

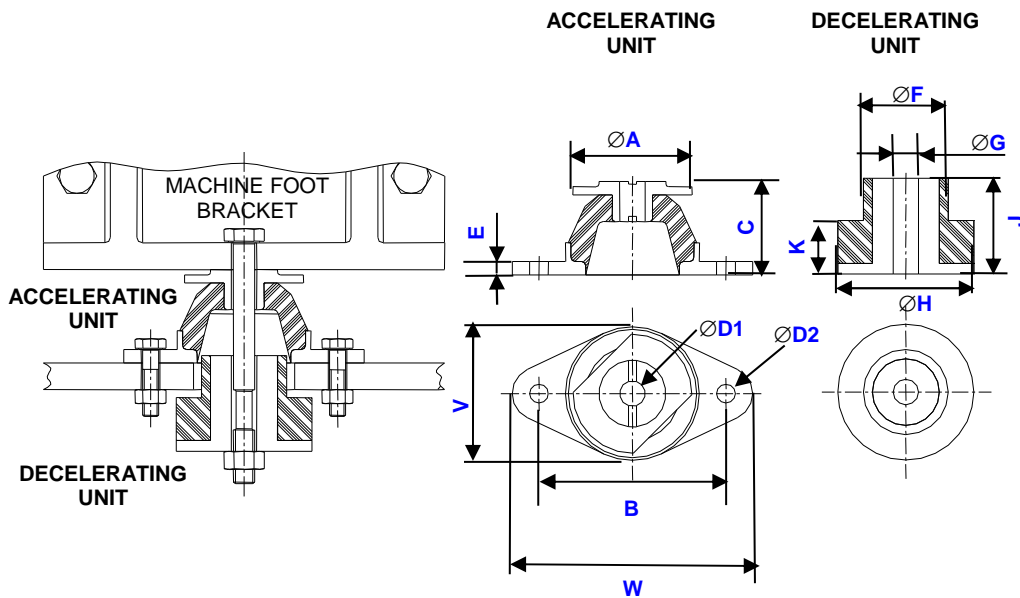
# rubber spring mounts

series

## navy shock line "L" & "M"

RSL / RSM

### definition



- Vertical anti-vibration/shock mounts.
- Natural rubber and aluminium bronze materials.
- Captive support.
- Installed on fast-running machinery and static equipment.
- Load range from 180 to 680kg.
- Temperature range : -30°C +70°C.



Type	L mount							M mount
Nominal load (kg)	10	14	18	27	45	70	115	450
Static deflection (mm)	3.8	2.8	4.1	4.6	5.2	5.5	6.0	16
Axial natural frequency (Hz)	8 / 10	8 / 10	9 / 10	8.5 / 9	7.5 / 9	7 / 8	6.5 / 8	4.1 / 5.1
Maximum shock deflection acceleration (mm)	19	19	19	19	25	25	25	31.7
Maximum shock deflection deceleration (mm)	9.5	9.5	9.5	9.5	9.5	9.5	9.5	9.5
<b>Accelerator unit</b>	<b>-010A</b>	<b>-014A</b>	<b>-018A</b>	<b>-027A</b>	<b>-045A</b>	<b>-070A</b>	<b>-115A</b>	<b>-450A</b>
ØA (mm)	44	49	57	59	70	83	89	168
B (mm)	70	76	89	92	105	124	130	238
C (mm)	35	37	40	41	49	57	59	114
ØD1 (mm)	9,5	11	14	14	14	19,5	21	22
ØD2 (mm)	7	7	11	11	11	14	14	13,5
E	6	6	6	6	8	10	13	25
V	54	60	67	68	83	95	102	192
W	86	92	111	114	127	152	158	289
NATO stock number : 5340-99-	541-2542	541-2543	541-2544	541-2545	541-2546	541-2547	541-2548	531-8247
<b>Decelerator unit</b>	<b>-010D</b>	<b>-014D</b>	<b>-018D</b>	<b>-027D</b>	<b>-045D</b>	<b>-070D</b>	<b>-115D</b>	<b>-450D</b>
ØF (mm)	32	32	38	38	45	45	48	44,5
ØG (mm)	9,5	11	14,5	14,5	14,5	17,5	20,5	22
ØH (mm)	51	51	57	57	67	67	70	82,6
J	32	33	36	38	39	43	44	44,4
K	16	16	19	19	19	19	19	19
NATO stock number : 5340-99-	541-2549	541-2550	541-2551	541-2552	541-2553	541-2554	541-2555	531-8248

Example :  
RSL-045D

**R S L - 0 4 5 D**

Prefix :  
"Rubber Spring" mount from :  
- the L mount series : **RSL**  
- the M mount series : **RSM**

Model : **-045**  
nominal static load : 45 kg

Suffix :  
A : Accelerating unit  
D : Decelerating unit

01/07/2013

Socitec  
BP 33, 78501 Sartrouville cedex - France  
Telephone : +33 (0)1 61 04 60 00  
Fax : +33 (0)1 39 14 03 27  
http://www.socitec.com  
e-mail : shock-intl@socitec.com



Document subject to modification without prior notice